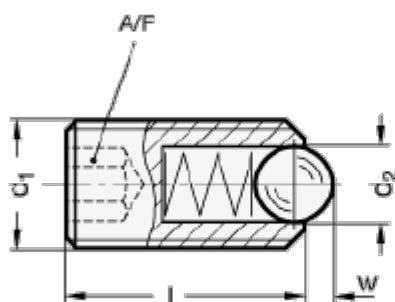


Article number: 206153M12KSMVK

Description: E+G spring plungers 615.3-M12-KS-MVK

Measures



Thread locking **PFB**
Polyamide patch
for type **K**



Thread locking **PFB**
Polyamide patch
for type **KS**



Thread locking **MVK**
Micro encapsulation precote
(for all types)

A/F	= 6
d1	= M12
d2	= 8
l	= 26
Max. spring load in N	= 110
Preload spring pressure in N	= 61
w	= 2.5